



Bedienungsanleitung



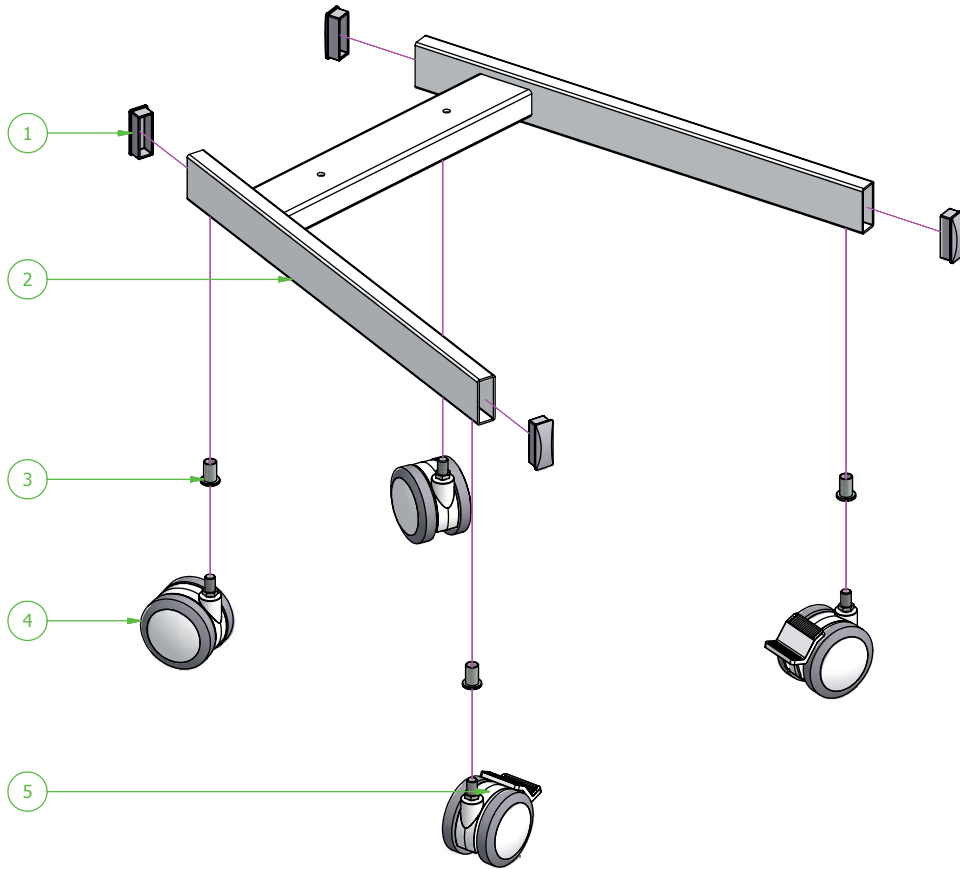
Gymna Gerätewagen Exklusiv

Art.Nr.: 22937

▶▶▶ [zum Produkt...](#)

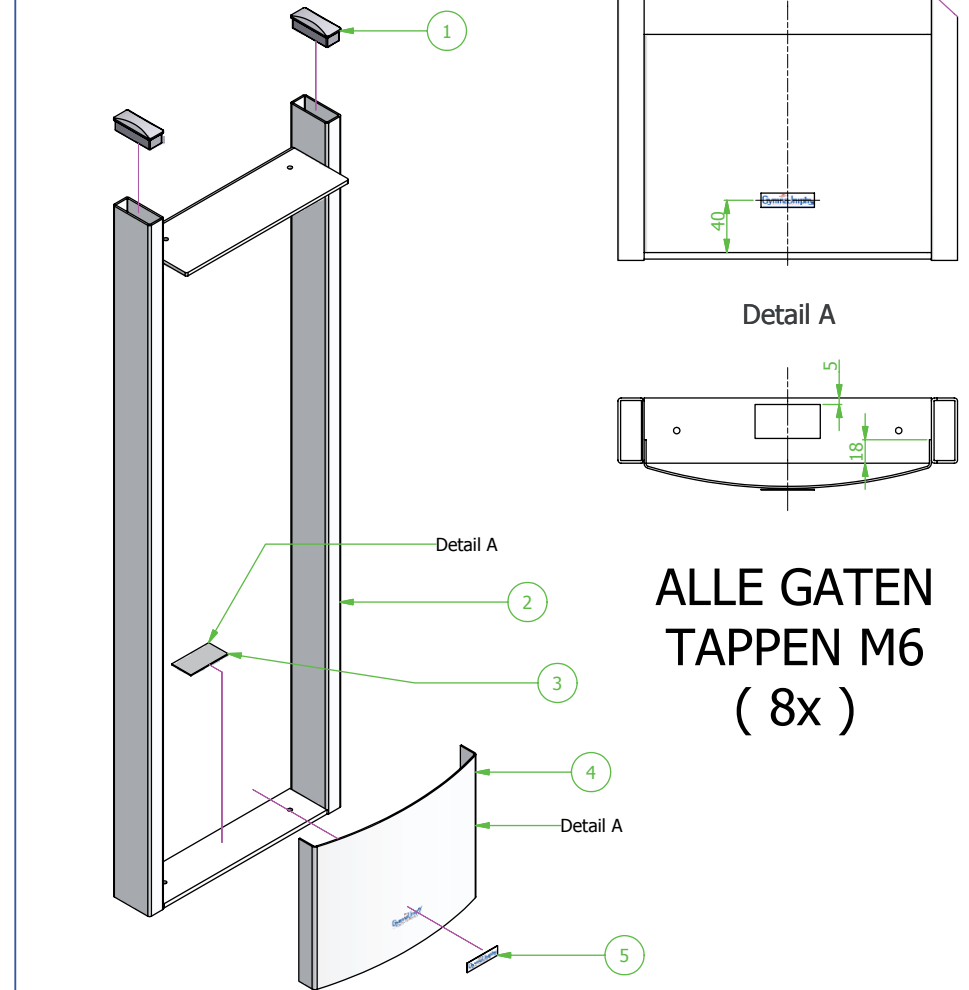
Geräte-& Ballwagen

▶▶▶ [zur Kategorie...](#)



				5	2	17209	17209
2	1	F.00051	A0495-1	4	2	14928	14928
1	4	14616	P0098-1	3	4	4632	4632
Pos	Qty	Art. Nr.	File name	Pos	Qty	Art. Nr.	File name

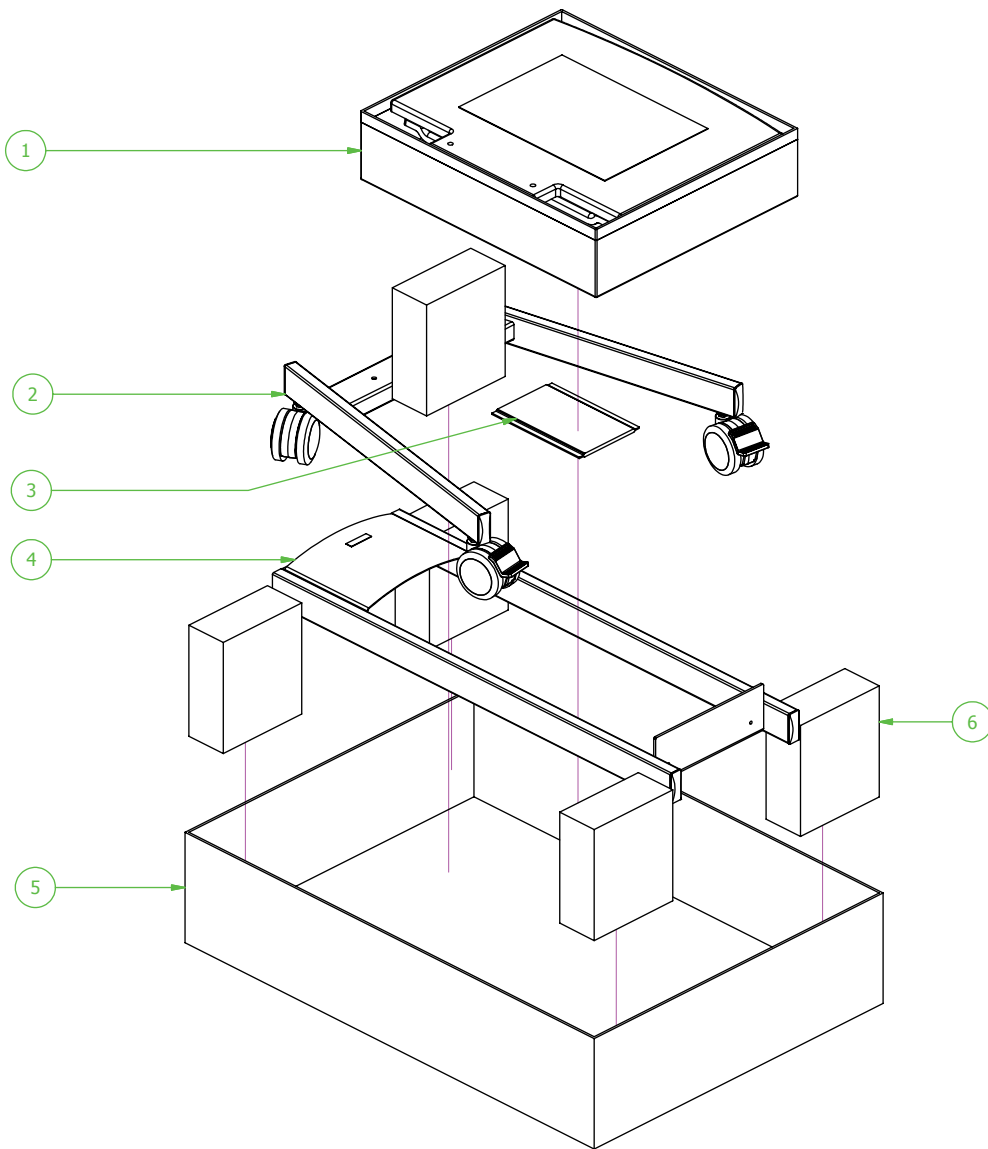
Sheet : 1 / 1		Fiche nr.: F.00053	
General tol.:		Surface treatment:	
		Art. nr.:	
		Filename: A0496-1	
TITLE:		ASSEMBLY UC. MOBIL-700	
A4		Scale:	Designed by: sco
		Date: 28/07/2003	



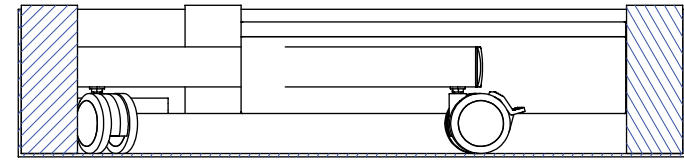
				5	1	17285	17285
2	1	F.00050	A0498-1	4	1	16889	P0412
1	2	14616	P0098-1	3	1	16701	16701
Pos	Qty	Art. Nr.	File name	Pos	Qty	Art. Nr.	File name

Sheet : 1 / 1		Fiche nr.: F.00052	
General tol.:		Surface treatment:	
		Art. nr.:	
		Filename: A0499-1	
TITLE:		ASSEMBLY ZUIL MOBIL-700	
A4		Scale:	Designed by: sco
		Date: 02/09/2003	

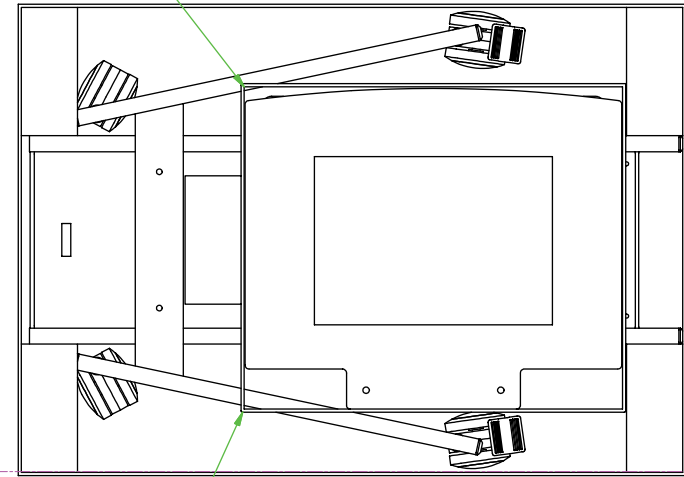
**ALLE GATEN
TAPPEN M6
(8x)**



A-A



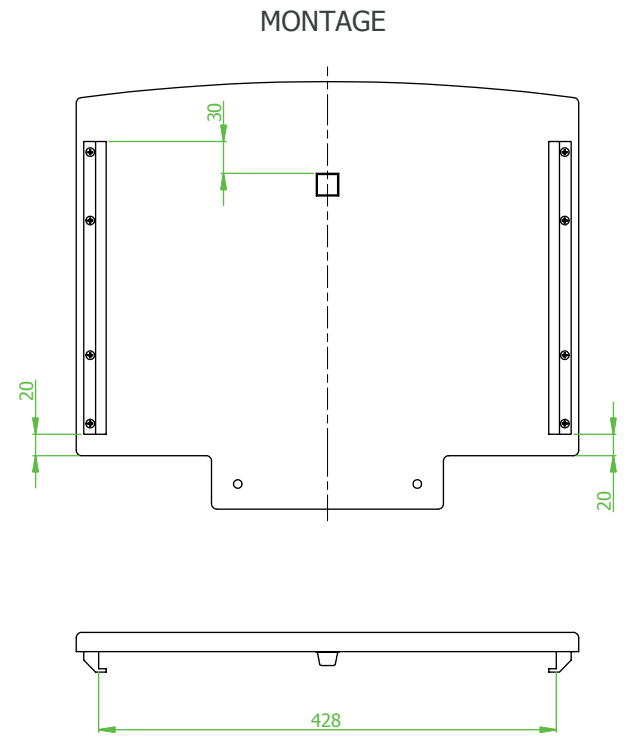
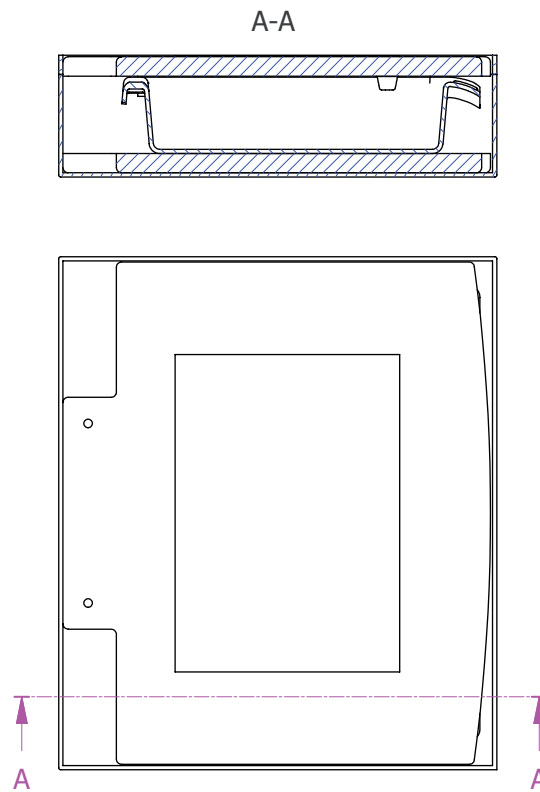
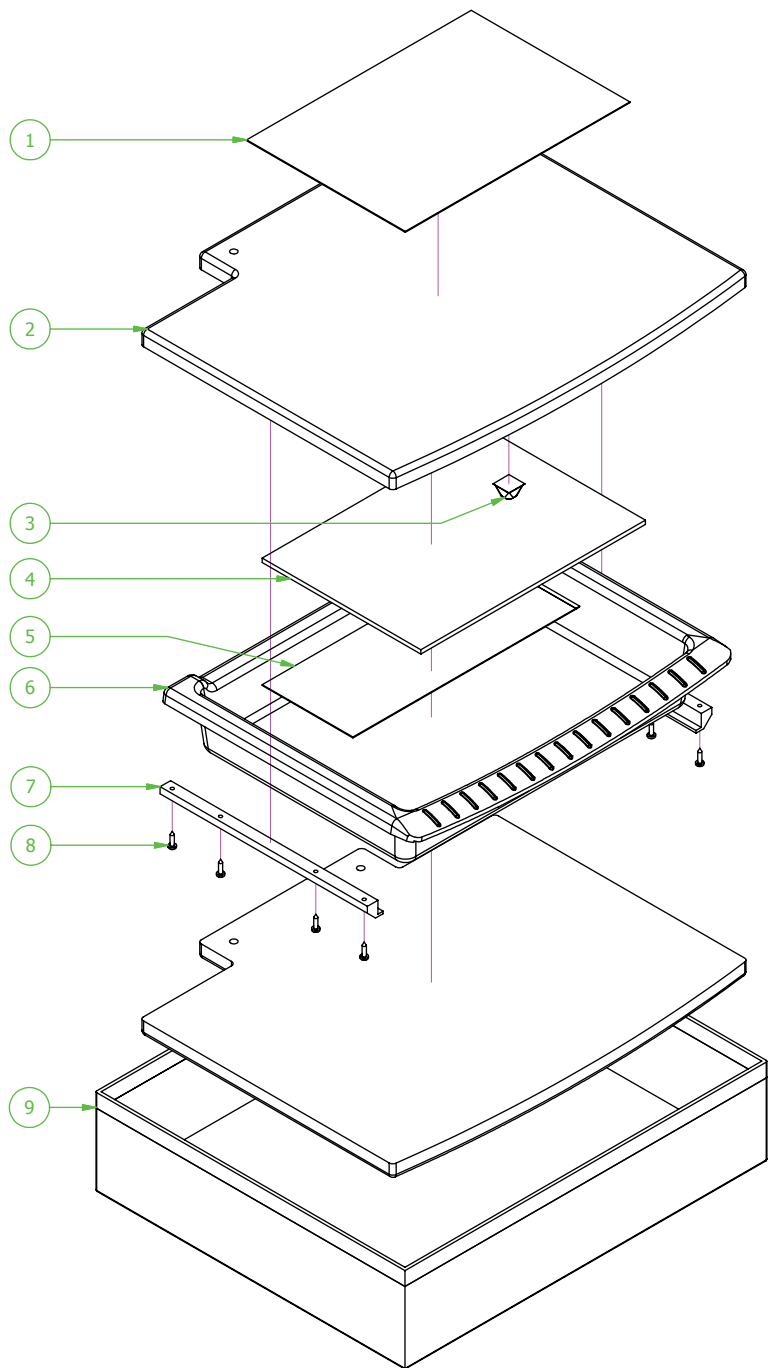
INDRUKKEN HOEKEN



INDRUKKEN HOEKEN

3	1	F.00055	A0500-1	6	5	17302	P0566-1
2	1	F.00053	A0496-1	5	1	17223	MOBIL doos 1
1	1	F.00054	A0504-1	4	1	F.00052	A0499-1
Pos	Qty	Art. Nr.	File name	Pos	Qty	Art. Nr.	File name

Sheet : 1 / 1		Fiche nr.: F.00056	
General tol.:		Surface treatment:	
		Art. nr.: 17210	
		Filename: A0501-1	
A3		Scale:	Designed by: sco
TITLE: ASSEMBLY MOBIL-700		Date: 23/10/2003	



4	1	F.00059	A0497-1	9	1	17236	MOBIL doos 2
3	1	13100	13100	8	8	4356	4356
2	2	17212	P0553-1	7	2	13035	13035
1	1	17224	17224	6	1	13003	P0317-1
				5	1	17229	A0503-1
Pos	Qty	Art. Nr.	File name	Pos	Qty	Art. Nr.	File name

Sheet : 1 / 1		Fiche nr.: F.00054	
General tol.:		Surface treatment:	
		Art. nr.:	
		Filename: A0504-1	
A3		Date: 13/11/2003	
TITLE:		Designed by: SCO	
ASSEMBLY EXTRA TABLET MOBIL-700		Scale:	



Sport-Tec
Physio & Fitness

Lemberger Straße 255
D-66955 Pirmasens

Tel.: 06331/1480-0
Fax: 06331/1480-220

info@sport-tec.de
www.sport-tec.de